

DA3



Micro CAN or serial data-logger with 4GByte of memory and 8 analogue inputs

Specifications

Parameter	Value
Input Voltage	5V to 16V
Current Consumption	≈ 50mA at 12V
Logging Memory	4Gbyte removable USB key
Logging Speed	Configurable up to 1KHz
Total Logging Throughput	100Kbyte+ per second
8 Analogue Inputs	12Bit 0-5V, 4 with 1K software selectable pull-up 4 can be used as speed inputs, 4 can be used as thermocouples
Beacon	1 x pull to ground
CAN	2 x CAN2.0 channel recording up to 216 channels
Serial	RS232. Baud rates from 1200 to 115200. Common formats supported including GPS up to 10Hz
Internal	10 Internal status/diagnostic channels
Connectors	2 x 9 way double density AS connector, sealed USB slot for storage
Size	56 x 38 x 32 mm
Weight	110 g with memory stick
Casing	Machined Aluminium, sealed for dust and water ingress
Diagnostic LEDs	2 x Tri-colour LED

Supplied Parts	4Gbyte removable USB key
	USB key to PC adapter

Connectors

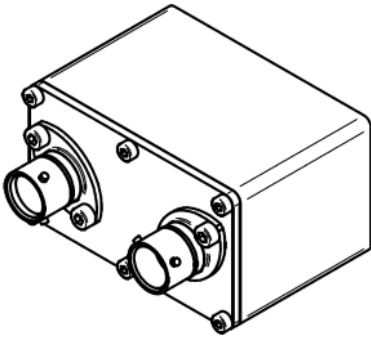
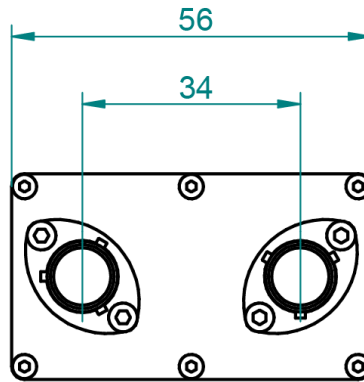
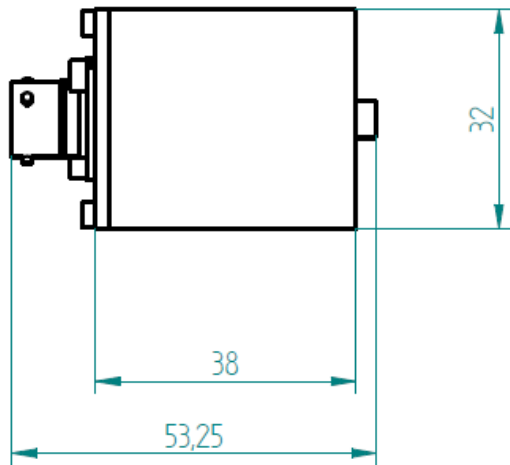
ID	Connector	Loom/Mating Connector
1	ASDD206-09PN	ASDD606-09SN
2	ASDD206-09SN	ASDD606-09PN

Pin Out

Connector 1		
Pin	Name	Function/Notes
1	12V Power	
2	0V Ground	
3	Beacon (pull to ground)	
4	Serial RS232 Input	
5	CAN2 High	No load resistor
6	CAN2 Low	
7	CAN High	
8	CAN Low	
9	Analogue Input 8 / Thermocouple 4+	

Connector 2		
Pin	Name	Function/Notes
1	5V Sensor Supply	
2	Analogue Input 1 / Speed input 1	Software selectable 1K pull-up
3	Analogue Input 2 / Speed input 2	
4	Analogue Input 3 / Speed input 3	
5	Analogue Input 4 / Speed input 4	
6	Analogue Input 5 / Thermocouple 1+	
7	Analogue Input 6 / Thermocouple 2+	
8	Analogue Input 7 / Thermocouple 3+	
9	Sensor Ground	

Dimensions



With Datakey Fitted:

